



# MODEL T-215 TOWER SPECIFICATIONS





# TOWER SPECIFICATIONS: MODEL T-215 Cooling Tower Systems, Inc.

Design and Operating Conditions		Water Distribution System Construction Materials	
Tower Type:	Counter Flow Induced Draft	Stand Pipe:	PVC
Water Flow Rate (GPM):	44 GPM	Sprinkler Head:	Nylon
Entering Water Temperature	95°F	Sprinkler Pipes:	PVC
Leaving Water Temperature	85°F	<b>Mechanical Equipment</b>	
Wet Bulb Temperature:	75°F	Fan Unit:	One Unit per Tower
Total Fan BHP:	1/4 HP	Type:	Axial Flow
Total Pump Head:	5.3'	Manufacturer:	CTS
Drift Loss of Water Flow:	0.1%	Diameter:	26 3/8"
Evaporation Loss of Water Flow:	0.93%	Blade Material:	Nylon
Design Wind Load:	30.7 lbs/sq. ft.	Hub Material:	Nylon
<b>Structural Details</b>		Nominal Air Volume:	4,700 CFM
Overall Diameter:	46"	<b>Fan Motor</b>	
Overall Height:	59"	Number of motors:	One Unit per Tower
Dry Weight:	154 lbs.	Type:	Induction
Operating Weight:	628 lbs.	Manufacturer:	CTS
<b>Basic Tower Construction Materials</b>		Insulation:	E Class
Tower Support Frame Assembly	-	Rated HP:	1/4 HP
Casing:	FRP	Voltage and phase:	110/220V/1
Casing Supporters	Nylon	<b>Piping Connections</b>	
Cold Water Basin	FRP	Primary Water Inlet Diameter	2"
Filling:	PVC	Primary Water Outlet Diameter:	2"
Filling Supports:	PVC	Auto fill inlet diameter:	1/2"
Fan Guard	PP	Quick fill inlet diameter:	-
Mechanical Equipment Supports:	HDGS	Overflow outlet diameter:	1"
Inlet Louvers:	PVC	Drain diameter:	1"
Bolts, Nuts & Washers:	STS	Water Flow (GPM):	44 GPM

### Materials Key

FRP	Fiberglass Reinforced Polyester	STS	Stainless Steel
HDGS	Hot Dipped Galvanized Steel	AC	Aluminum Alloy Cast

### Cooling Tower Systems, Inc.

196 Lower Cherry Street Macon, GA 31201

TF: 800.752.1905

F: 478.755.8304

www.coolingtowersystems.com

info@coolingtowersystems.com



Cooling Tower Systems, Inc.

# PARTS LIST: MODEL T-215

FOR ASSEMBLY DIAGRAM			FOR TECHNICAL DIAGRAMS			
Ref. No.	Description	QTY	Item No.	Description	Material	QTY
02-02	Outlet Nozzle	1	1	Fan Motor	-	1 pcs
02-03	Inlet Nozzle	1	2	V-Belt Reducer	-	-
02-04	Over Flow Nozzle	1	3	Motor Frame Assembly	HDGS	1 set
02-05	Drain Nozzle	1	4	Fan Blade Assembly	Nylon	1 set
02-06	Automatic Filler Nozzle	1	5	Fan Guard	PP	1 set
02-08	Float Valve Assembly	1	6	Casing	FRP	3 pcs
02-09	Over Flow	1	7	Hand Hole	EVA	1 pcs
02-10	Suction Strainer	1	8	Sprinkler Head	Nylon	1 set
02-12A	Connector	1	9	Sprinkler Pipes	PVC	4 pcs
02-16	Elbow	1	10	Eliminator	-	-
02-19	Inlet Pipe	1	11	Tension Device	-	-
03-00	Water Basin	1	12	Stand Pipe	PVC	1 set
04-00	Casing Supporter	3	13	Filling	PVC	1 set
05-01A	Casing	3	14	Stopper or Column	PP	1 set
05-06	Hand Hole Cover	1	15	Filling Supporter	PVC	1 set
06-01	Stand Pipe	1	16	Casing Supporter	Nylon	3 pcs
06-04	Stand Pipe Base	1	17	Inlet Louver	PVC	1 set
07-01	Stopper	1	18	Frame Assembly	-	-
08-01	Filling Supporter - A	3	19	Water Basin	FRP	1 pcs
11-00	Filling	2	20	Water Sump	-	-
12-01	Sprinkler Head	1	21	Ladder	-	-
13-01	Sprinkler Pipe	4	22	Strainer	PE	1 pcs
13-02	End Cap	-	23	Flange	-	-
13-03	Eliminator	-	24	Basin Supporter	-	-
13-04	Lock Nut	4				
14-00	Motor Frame Assembly	1				
16-01	Fan Motor	1				
16-03	Fan Key	1				
16-04	Fasten Nut	1				
17-00	Fan Assembly	1				
18-01	Fan Guard	1				
20-02	Inlet Louver	3				
20-10	Louver Bracket	6				
20-11	Knob Pin	6				
OTHERS	Bolts & Nuts	1 SET				

Materials Key	
FRP	Fiberglass Reinforced Polyester
HDGS	Hot Dipped Galvanized Steel
STS	Stainless Steel
AC	Aluminum Alloy Cast

Cooling Tower Systems, Inc.

196 Lower Cherry Street Macon, GA 31201

TF: 800.752.1905

F: 478.755.8304

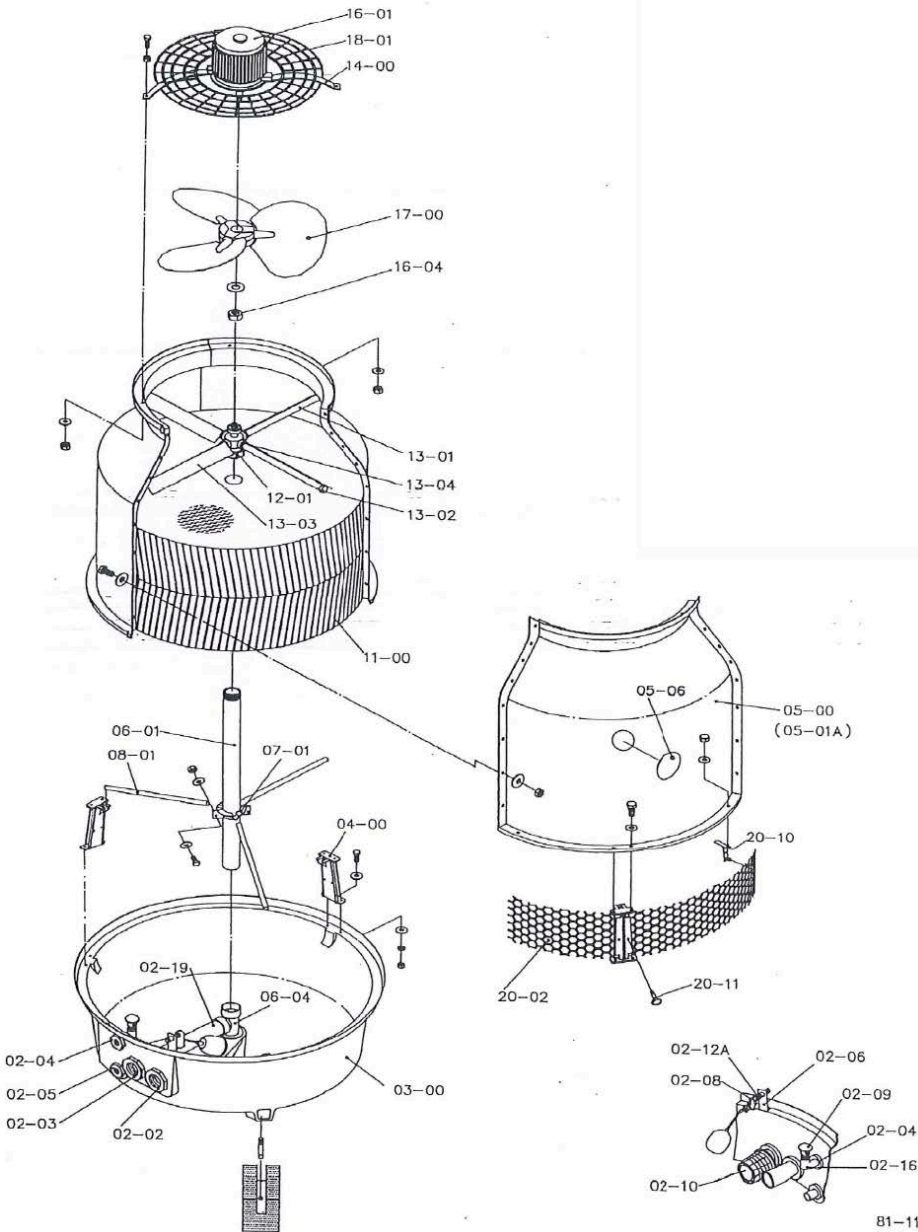
www.coolingtowersystems.com

info@coolingtowersystems.com



Cooling Tower Systems, Inc.

# ASSEMBLY DIAGRAM: MODEL T-215



81-11-26-8  
ISO-25-C.DWG

Cooling Tower Systems, Inc.

196 Lower Cherry Street Macon, GA 31201

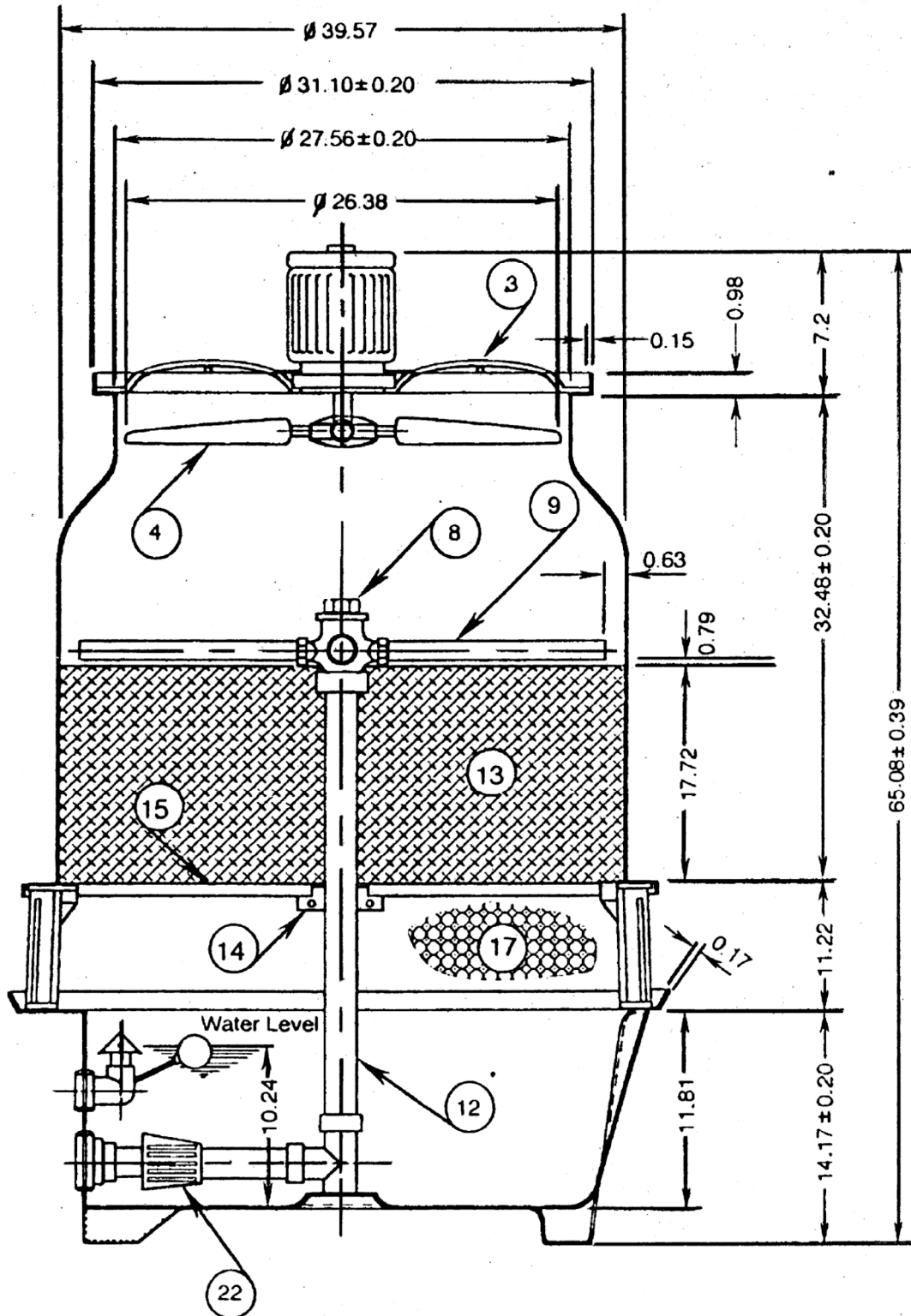
TF: 800.752.1905

F: 478.755.8304

www.coolingtowersystems.com

info@coolingtowersystems.com

## TECHNICAL IMAGE A: MODEL T-215



Cooling Tower Systems, Inc.

196 Lower Cherry Street Macon, GA 31201

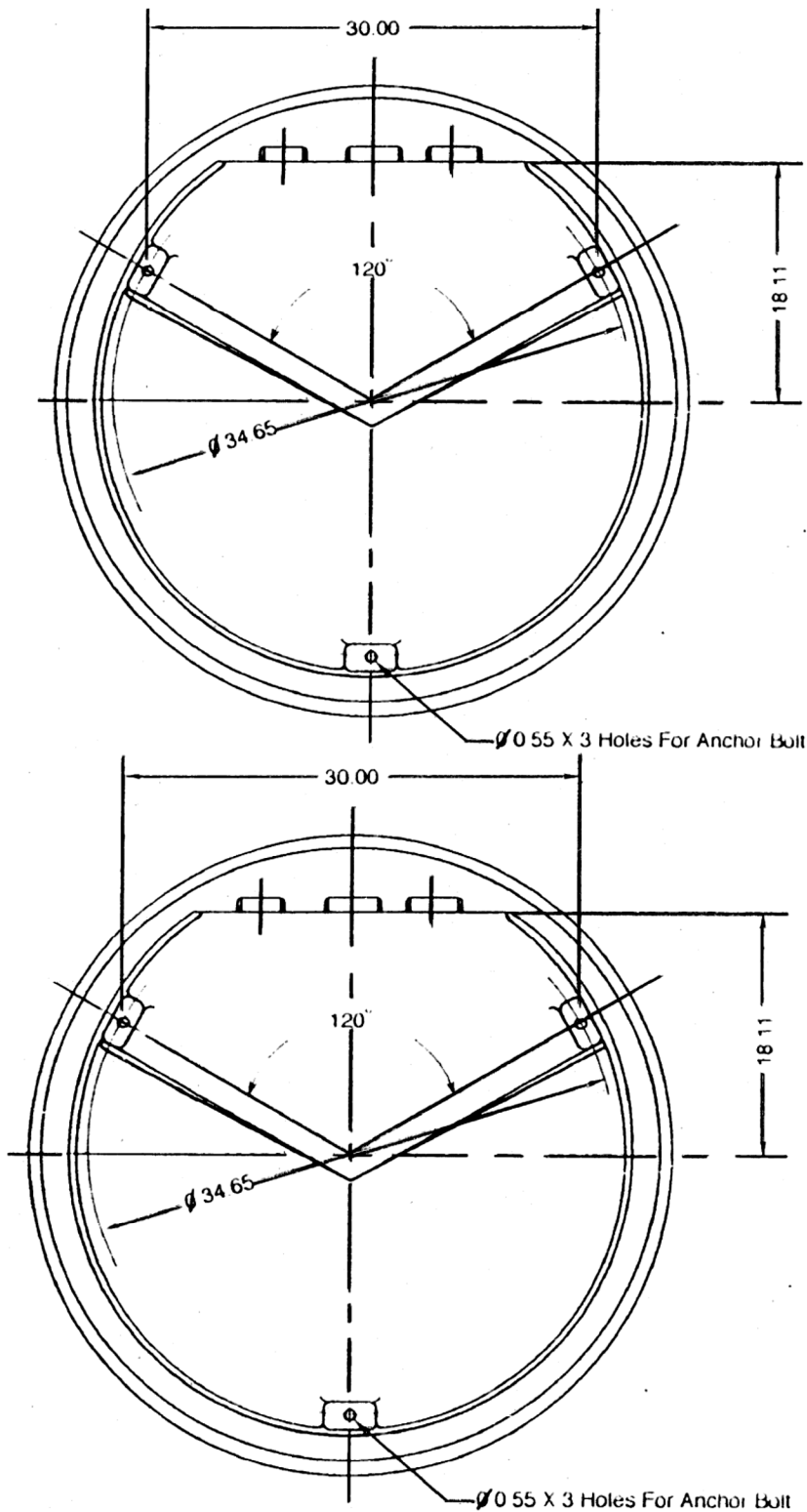
TF: 800.752.1905

F: 478.755.8304

[www.coolingtowersystems.com](http://www.coolingtowersystems.com)

[info@coolingtowersystems.com](mailto:info@coolingtowersystems.com)

## TECHNICAL IMAGE B & C: MODEL T-215



Cooling Tower Systems, Inc.

196 Lower Cherry Street Macon, GA 31201

TF: 800.752.1905

F: 478.755.8304

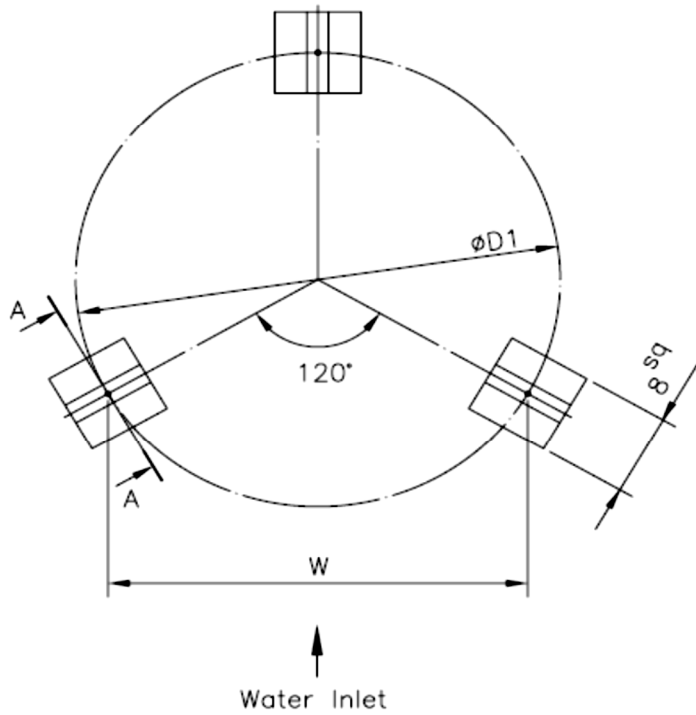
[www.coolingtowersystems.com](http://www.coolingtowersystems.com)

[info@coolingtowersystems.com](mailto:info@coolingtowersystems.com)

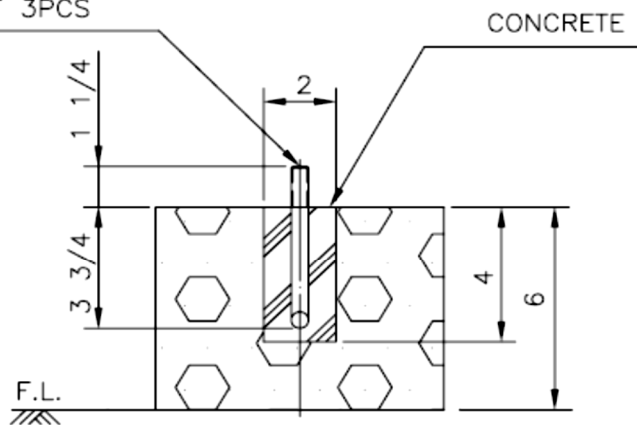
# FOUNDATION DRAWING: MODEL T-215

Cooling Tower Systems, Inc.

T-	øD1	W
25~28	21 5/8	18 3/4
210	29 1/2	25 5/8
215	34 5/8	30
220	44	38 1/4



1 1/4" ALL THREAD PROJECTION  
W1/2x5L, L TYPE ANCHOR BOLT 3PCS



A-A SECTION

Cooling Tower Systems, Inc.

196 Lower Cherry Street Macon, GA 31201

TF: 800.752.1905

F: 478.755.8304

www.coolingtowersystems.com

info@coolingtowersystems.com