



MODEL T-23 TOWER SPECIFICATIONS



Cooling Tower Systems, Inc.

196 Lower Cherry Street Macon, GA 31201

TF: 800.752.1905

F: 478.755.8304

www.coolingtowersystems.com

info@coolingtowersystems.com

TOWER SPECIFICATIONS: MODEL T-23



Design and Operating Conditions		Water Distribution System Construction Materials	
Tower Type:	Counter Flow Induced Draft	Stand Pipe:	PVC
Water Flow Rate (GPM):	9 GPM	Sprinkler Head:	Nylon
Entering Water Temperature	95°F	Sprinkler Pipes:	PVC
Leaving Water Temperature	85°F	Mechanical Equipment	
Wet Bulb Temperature:	75°F	Fan Unit:	One Unit per Tower
Total Fan BHP:	1/6 HP	Type:	Axial Flow
Total Pump Head:	5.0'	Manufacturer:	CTS
Drift Loss of Water Flow:	0.1%	Diameter:	19.5 in
Evaporation Loss of Water Flow:	0.93%	Blade Material:	Nylon
Design Wind Load:	30.7 lbs/sq. ft.	Hub Material:	Nylon
Structural Details		Nominal Air Volume:	883 CFM
Overall Diameter:	27 1/8"	Fan Motor	
Overall Height:	50"	Number of motors:	One Unit per Tower
Dry Weight:	84 lbs.	Type:	Induction
Operating Weight:	227 lbs.	Manufacturer:	CTS
Basic Tower Construction Materials		Insulation:	F Class
Tower Support Frame Assembly	-	Rated HP:	1/6 HP
Casing:	FRP	Voltage and phase:	110/220V/1
Casing Supporters	Nylon	Piping Connections	
Cold Water Basin	FRP	Primary Water Inlet Diameter	1.5"
Filling:	PVC	Primary Water Outlet Diameter:	1.5"
Filling Supports:	PVC	Auto fill inlet diameter:	1.5"
Fan Guard	PP	Quick fill inlet diameter:	-
Mechanical Equipment Supports:	HDGS	Overflow outlet diameter:	1"
Inlet Louvers:	PVC	Drain diameter:	3/4"
Bolts, Nuts & Washers:	STS	Water Flow (GPM):	9 GPM
Materials Key			
FRP	Fiberglass Reinforced Polyester	STS	Stainless Steel
HDGS	Hot Dipped Galvanized Steel	AC	Aluminum Alloy Cast

Cooling Tower Systems, Inc.

196 Lower Cherry Street Macon, GA 31201

TF: 800.752.1905

F: 478.755.8304

www.coolingtowersystems.com

info@coolingtowersystems.com

PARTS LIST: MODEL T-23



FOR ASSEMBLY DIAGRAM		
Ref. No.	Description	QTY
02-02	Outlet Nozzle	1
02-03	Inlet Nozzle	1
02-04	Over Flow Nozzle	1
02-05	Drain Nozzle	1
02-06	Automatic Filler Nozzle	1
02-08	Float Valve Assembly	1
02-09	Over Flow	1
02-10	Suction Strainer	1
02-12A	Connector	1
02-16	Elbow	1
02-19	Inlet Pipe	1
03-00	Water Basin	1
04-00	Casing Supporter	3
05-01A	Casing	3
05-06	Hand Hole Cover	1
06-01	Stand Pipe	1
06-04	Stand Pipe Base	1
07-01	Stopper	1
08-01	Filling Supporter - A	3
11-00	Filling	2
12-01	Sprinkler Head	1
13-01	Sprinkler Pipe	4
13-02	End Cap	-
13-03	Eliminator	-
13-04	Lock Nut	4
14-00	Motor Frame Assembly	1
16-01	Fan Motor	1
16-03	Fan Key	1
16-04	Fasten Nut	1
17-00	Fan Assembly	1
18-01	Fan Guard	1
20-02	Inlet Louver	3
20-10	Louver Bracket	-
20-11	Knob Pin	6
OTHERS	Bolts & Nuts	1 SET

FOR TECHNICAL DIAGRAM			
Item No.	Description	Material	QTY
1	Fan Motor	-	1 Pcs
2	Motor Frame Assembly	HDGS	1 Set
3	Fan	ABS	1 Set
4	Casing	F.R.P.	2 Pcs
5	Hand Hole	E.V.A.	1 Pcs
6	Sprinkler Head	Nylon	1 Pcs
7	Sprinkler Pipe	P.E.	2 Pcs
8	Stand Pipe	P.V.C.	1 Pcs
9	Filling	P.V.C.	1 Set
10	Stopper or Column	P.P	1 Set
11	Filling Supporter	P.V.C.	1 Set
12	Casing Supporter	Nylon	3 Pcs
13	Inlet Louver	P.V.C.	1 Set
14	Water Basin	F.R.P.	1 Pcs
15	Strainer	P.E.	1 Pcs
16	Stand Pipe Base	P.V.C.	1 Set
17	Float Valve Assembly	-	1 Set
18	Connector	P.V.C.	1 pcs

Materials Key

FRP	Fiberglass Reinforced Polyester
HDGS	Hot Dipped Galvanized Steel
STS	Stainless Steel
AC	Aluminum Alloy Cast

Cooling Tower Systems, Inc.

196 Lower Cherry Street Macon, GA 31201

TF: 800.752.1905

F: 478.755.8304

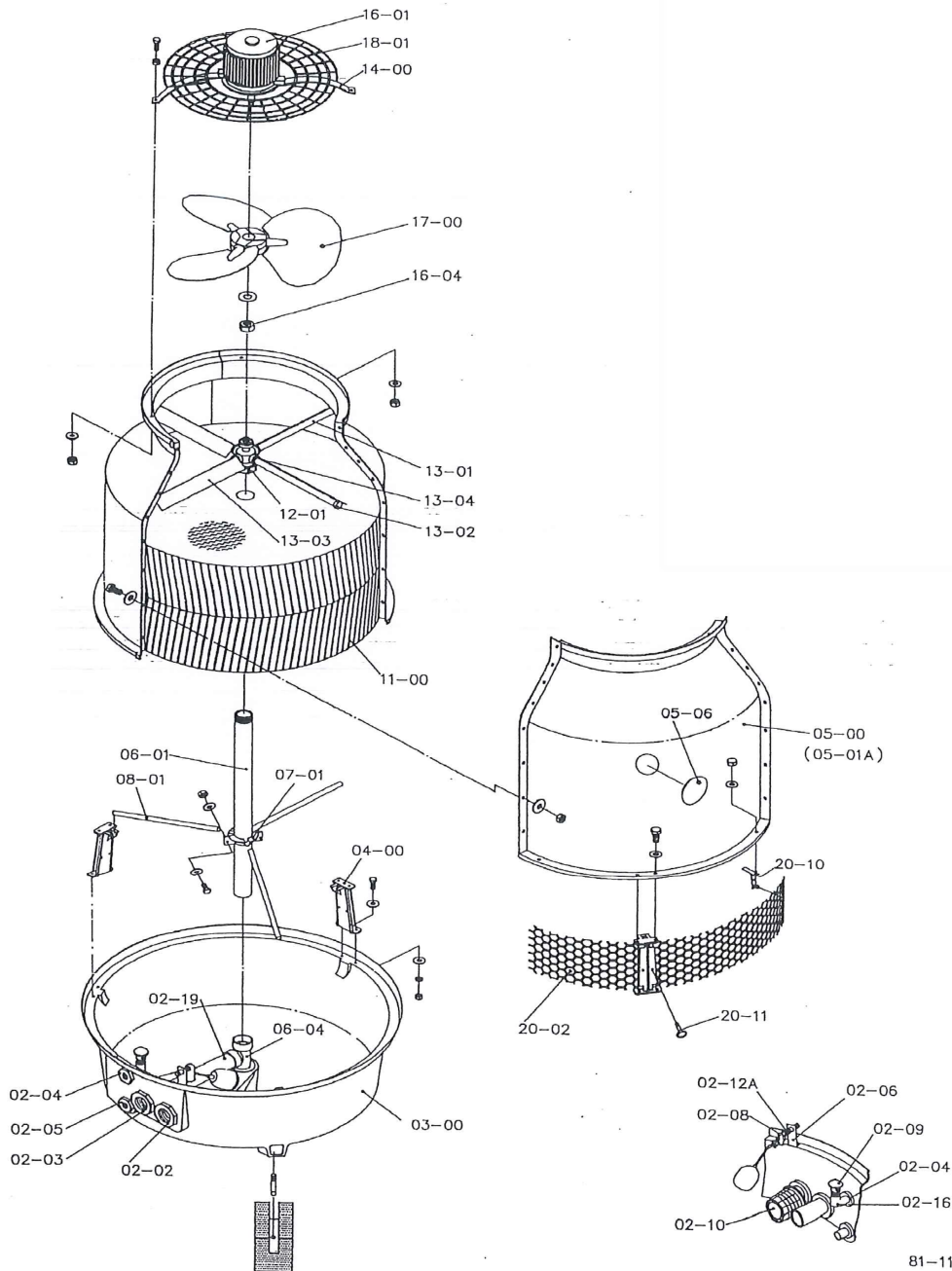
www.coolingtowersystems.com

info@coolingtowersystems.com

ASSEMBLY DIAGRAM: MODEL T-23



Cooling Tower Systems, Inc.



81-11-26-8
ISO-25-C.DWG

Cooling Tower Systems, Inc.

196 Lower Cherry Street Macon, GA 31201

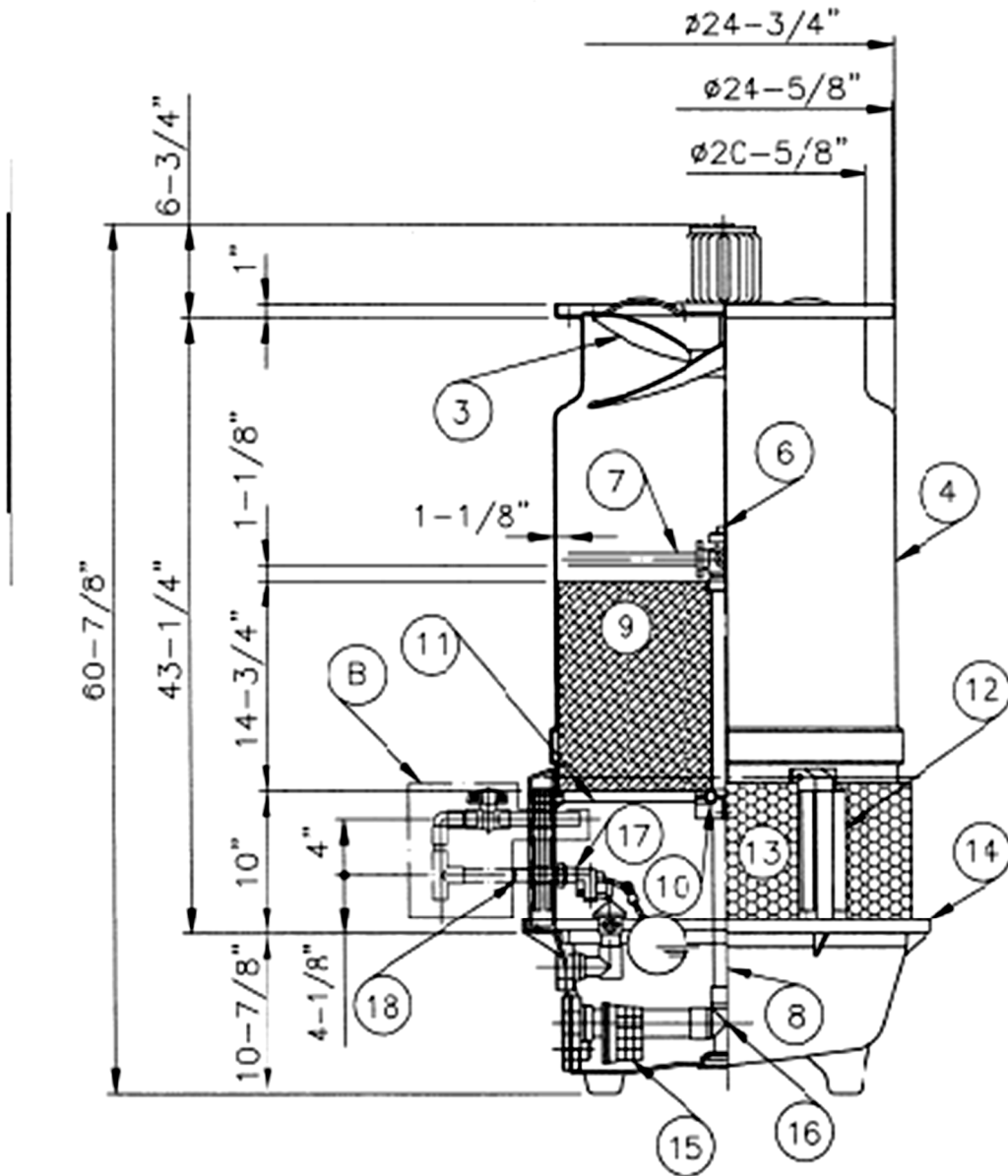
TF: 800.752.1905

F: 478.755.8304

www.coolingtowersystems.com

info@coolingtowersystems.com

TECHNICAL IMAGE A: MODEL T-23



Cooling Tower Systems, Inc.

196 Lower Cherry Street Macon, GA 31201

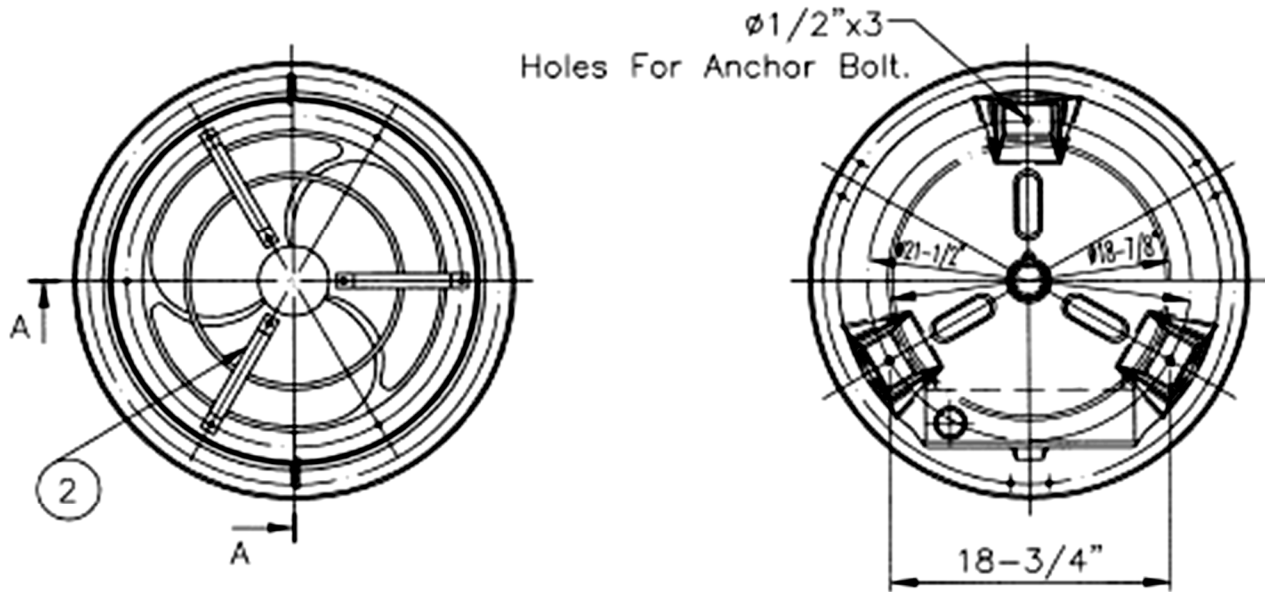
TF: 800.752.1905

F: 478.755.8304

www.coolingtowersystems.com

info@coolingtowersystems.com

TECHNICAL IMAGE B & C: MODEL T-23



FOUNDATION DRAWING: MODEL T-23

