



# MODEL T-220 TOWER SPECIFICATIONS





# TOWER SPECIFICATIONS: MODEL T-220 Cooling Tower Systems, Inc.

Design and Operating Conditions		Water Distribution System Construction Materials	
Tower Type:	Counter Flow Induced Draft	Stand Pipe:	PVC
Water Flow Rate (GPM):	58 GPM	Sprinkler Head:	Nylon
Entering Water Temperature	95°F	Sprinkler Pipes:	PVC
Leaving Water Temperature	85°F	Mechanical Equipment	
Wet Bulb Temperature:	75°F	Fan Unit:	One Unit per Tower
Total Fan BHP:	1/2 HP	Type:	Axial Flow
Total Pump Head:	5.6'	Manufacturer:	CTS
Drift Loss of Water Flow:	0.1%	Diameter:	30.25"
Evaporation Loss of Water Flow:	0.93%	Blade Material:	Nylon
Design Wind Load:	30.7 lbs/sq. ft.	Hub Material:	Nylon
Structural Details		Nominal Air Volume:	6,356 CFM
Overall Diameter:	54 3/8"	Fan Motor	
Overall Height:	63"	Number of motors:	One Unit per Tower
Dry Weight:	167 lbs.	Type:	Induction
Operating Weight:	639 lbs.	Manufacturer:	CTS
Basic Tower Construction Materials		Insulation:	F Class
Tower Support Frame Assembly	-	Rated HP:	1/2 HP
Casing:	FRP	Voltage and phase:	110/220V/1 or 220/440V/3
Casing Supporters	Nylon	Piping Connections	
Cold Water Basin	FRP	Primary Water Inlet Diameter	2"
Filling:	PVC	Primary Water Outlet Diameter:	2"
Filling Supports:	PVC	Auto fill inlet diameter:	1/2"
Fan Guard	PP	Quick fill inlet diameter:	-
Mechanical Equipment Supports:	HDGS	Overflow outlet diameter:	1"
Inlet Louvers:	PVC	Drain diameter:	1"
Bolts, Nuts & Washers:	STS	Water Flow (GPM):	58 GPM
Materials Key			
FRP	Fiberglass Reinforced Polyester	STS	Stainless Steel
HDGS	Hot Dipped Galvanized Steel	AC	Aluminum Alloy Cast

**Cooling Tower Systems, Inc.**

196 Lower Cherry Street Macon, GA 31201

TF: 800.752.1905

F: 478.755.8304

www.coolingtowersystems.com

info@coolingtowersystems.com



Cooling Tower Systems, Inc.

# PARTS LIST: MODEL T-220

FOR ASSEMBLY DIAGRAM			FOR TECHNICAL DIAGRAMS			
Ref. No.	Description	QTY	Item No.	Description	Material	QTY
02-02	Outlet Nozzle	1	1	Fan Motor	-	1 pcs
02-03	Inlet Nozzle	1	2	V-Belt Reducer	-	-
02-04	Over Flow Nozzle	1	3	Motor Frame Assembly	HDGS	1 set
02-05	Drain Nozzle	1	4	Fan Blade Assembly	Nylon	1 set
02-06	Automatic Filler Nozzle	1	5	Fan Guard	PP	1 set
02-08	Float Valve Assembly	1	6	Casing	FRP	3 pcs
02-09	Over Flow	1	7	Hand Hole	EVA	1 pcs
02-10	Suction Strainer	1	8	Sprinkler Head	Nylon	1 set
02-12A	Connector	1	9	Sprinkler Pipes	PVC	4 pcs
02-16	Elbow	1	10	Eliminator	-	-
02-19	Inlet Pipe	1	11	Tension Device	-	-
03-00	Water Basin	1	12	Stand Pipe	PVC	1 set
04-00	Casing Supporter	3	13	Filling	PVC	1 set
05-01A	Casing	3	14	Stopper or Column	PP	1 set
05-06	Hand Hole Cover	1	15	Filling Supporter	PVC	1 set
06-01	Stand Pipe	1	16	Casing Supporter	Nylon	3 pcs
06-04	Stand Pipe Base	1	17	Inlet Louver	PVC	1 set
07-01	Stopper	1	18	Frame Assembly	-	-
08-01	Filling Supporter - A	3	19	Water Basin	FRP	1 pcs
11-00	Filling	2	20	Water Sump	-	-
12-01	Sprinkler Head	1	21	Ladder	-	-
13-01	Sprinkler Pipe	4	22	Strainer	PE	1 pcs
13-02	End Cap	-	23	Flange	-	-
13-03	Eliminator	-	24	Basin Supporter	-	-
13-04	Lock Nut	4				
14-00	Motor Frame Assembly	1				
16-01	Fan Motor	1				
16-03	Fan Key	1				
16-04	Fasten Nut	1				
17-00	Fan Assembly	1				
18-01	Fan Guard	1				
20-02	Inlet Louver	3				
20-10	Louver Bracket	6				
20-11	Knob Pin	6				
OTHERS	Bolts & Nuts	1 SET				
			<b>Materials Key</b>			
			FRP	Fiberglass Reinforced Polyester		
			HDGS	Hot Dipped Galvanized Steel		
			STS	Stainless Steel		
			AC	Aluminum Alloy Cast		

Cooling Tower Systems, Inc.

196 Lower Cherry Street Macon, GA 31201

TF: 800.752.1905

F: 478.755.8304

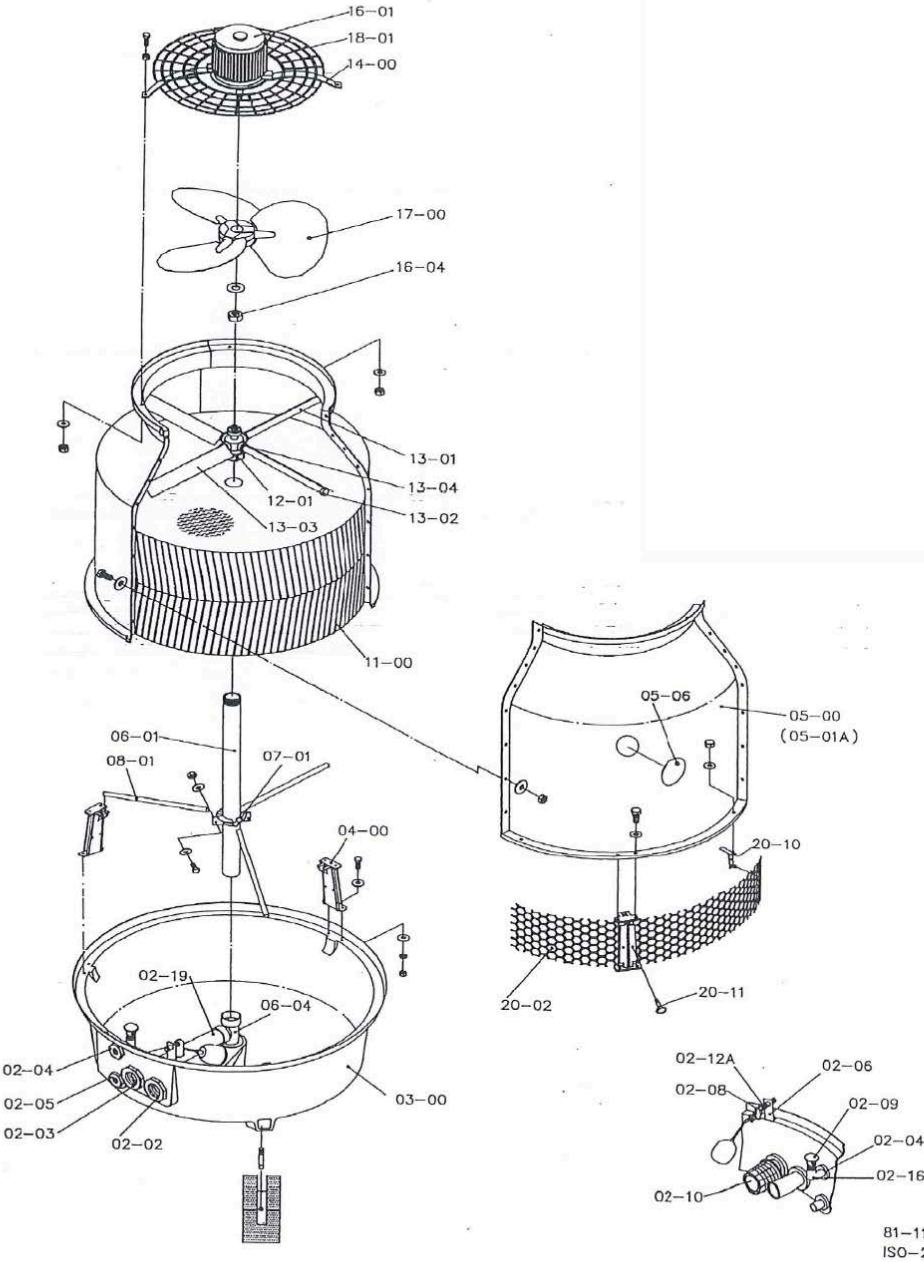
www.coolingtowersystems.com

info@coolingtowersystems.com



Cooling Tower Systems, Inc.

# ASSEMBLY DIAGRAM: MODEL T-220



81-11-26-8  
ISO-25-C.DWG

Cooling Tower Systems, Inc.

196 Lower Cherry Street Macon, GA 31201

TF: 800.752.1905

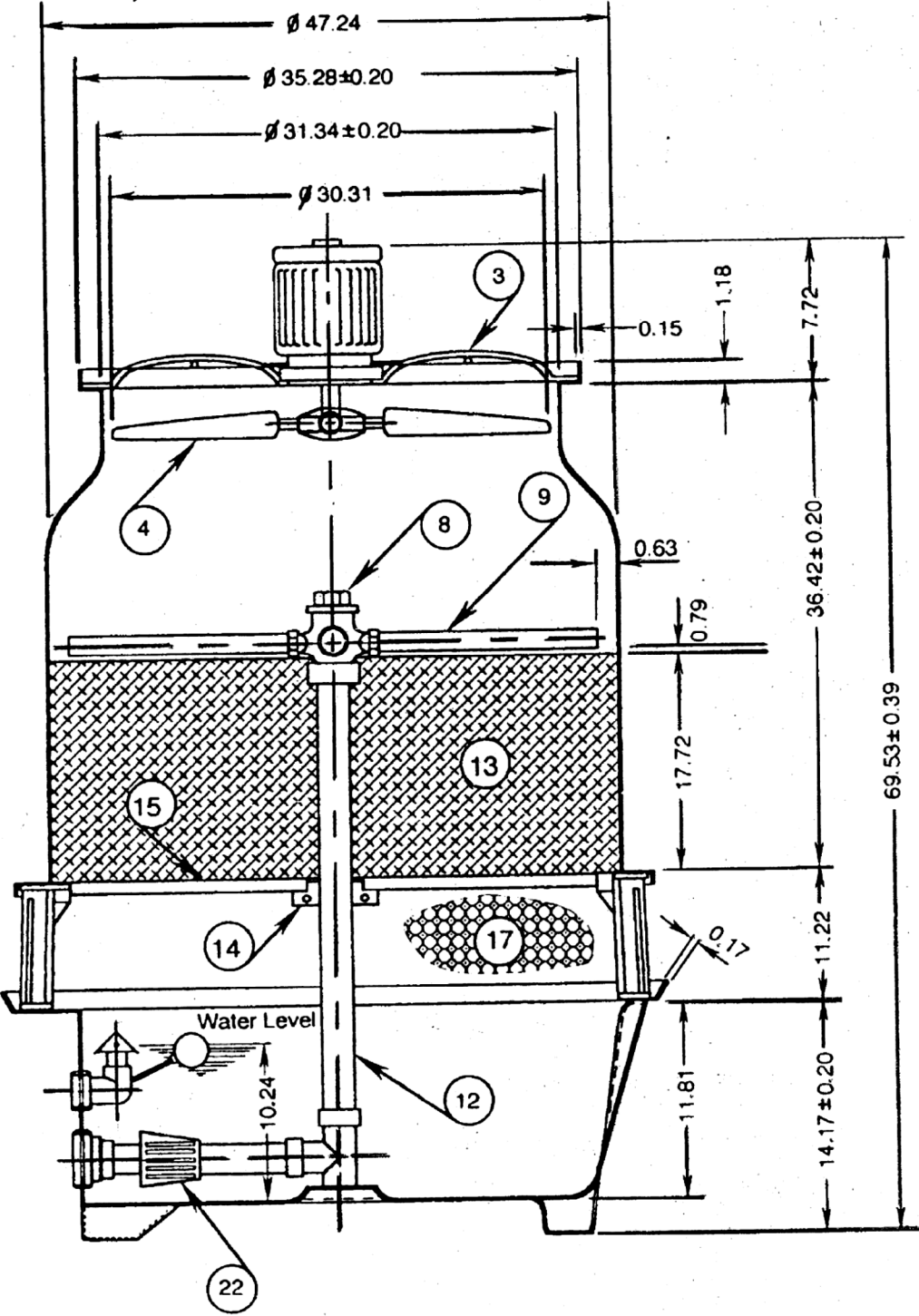
F: 478.755.8304

www.coolingtowersystems.com

info@coolingtowersystems.com



**TECHNICAL IMAGE A: MODEL T-220** Cooling Tower Systems, Inc.



Cooling Tower Systems, Inc.

196 Lower Cherry Street Macon, GA 31201

TF: 800.752.1905

F: 478.755.8304

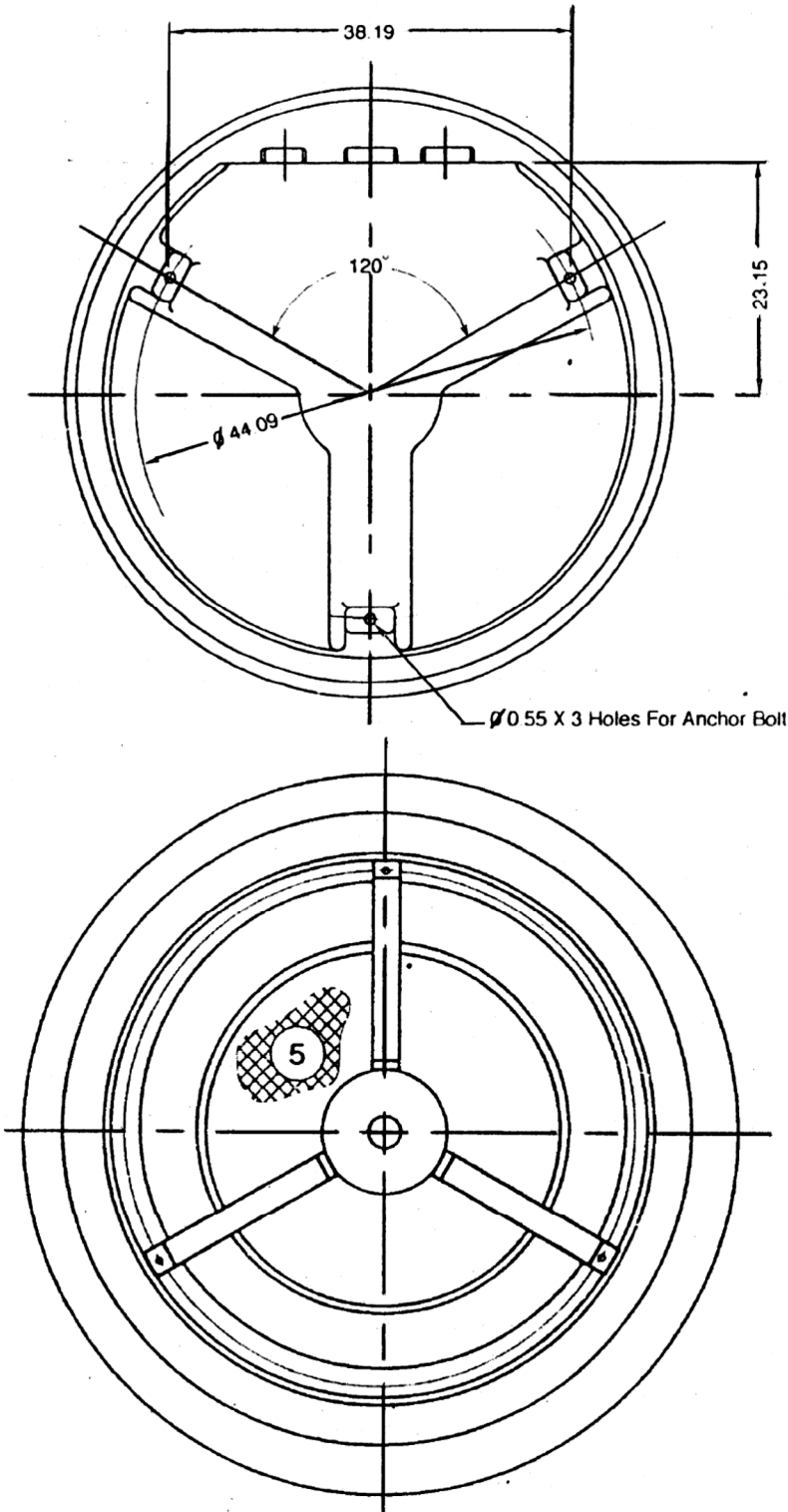
www.coolingtowersystems.com

info@coolingtowersystems.com



Cooling Tower Systems, Inc.

TECHNICAL IMAGE B & C: MODEL T-220



Cooling Tower Systems, Inc.

196 Lower Cherry Street Macon, GA 31201

TF: 800.752.1905

F: 478.755.8304

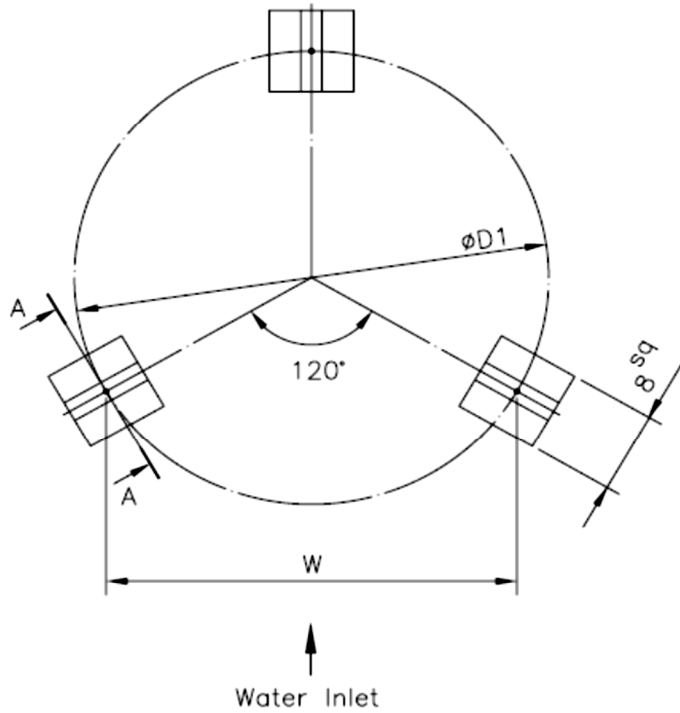
[www.coolingtowersystems.com](http://www.coolingtowersystems.com)

[info@coolingtowersystems.com](mailto:info@coolingtowersystems.com)

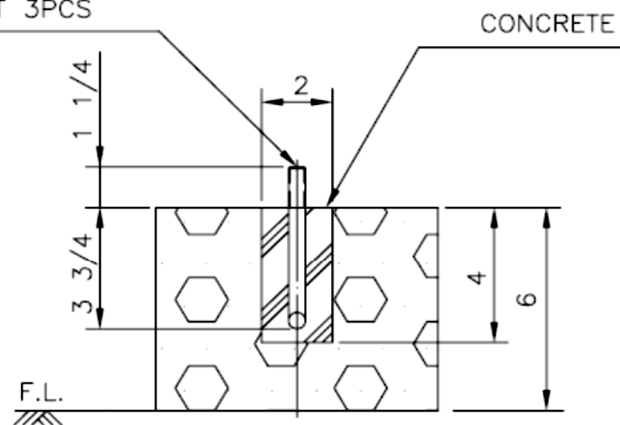
# FOUNDATION DRAWING: MODEL T-220

Cooling Tower Systems, Inc.

T-	øD1	W
25~28	21 5/8	18 3/4
210	29 1/2	25 5/8
215	34 5/8	30
220	44	38 1/4



1 1/4" ALL THREAD PROJECTION  
W1/2x5L, L TYPE ANCHOR BOLT 3PCS



A-A SECTION

Cooling Tower Systems, Inc.

196 Lower Cherry Street Macon, GA 31201

TF: 800.752.1905

F: 478.755.8304

www.coolingtowersystems.com

info@coolingtowersystems.com