



MODEL T-230 TOWER SPECIFICATIONS





TOWER SPECIFICATIONS: MODEL T-230 Cooling Tower Systems, Inc.

| Design and Operating Conditions | | Water Distribution System Construction Materials | |
|------------------------------------|---------------------------------|--|---------------------|
| Tower Type: | Counter Flow Induced Draft | Stand Pipe: | PVC |
| Water Flow Rate (GPM): | 88 GPM | Sprinkler Head: | Nylon |
| Entering Water Temperature | 95°F | Sprinkler Pipes: | PVC |
| Leaving Water Temperature | 85°F | Mechanical Equipment | |
| Wet Bulb Temperature: | 75°F | Fan Unit: | One Unit per Tower |
| Total Fan BHP: | 1 HP | Type: | Axial Flow |
| Total Pump Head: | 6.0' | Manufacturer: | CTS |
| Drift Loss of Water Flow: | 0.1% | Diameter: | 30.25" |
| Evaporation Loss of Water Flow: | 0.93% | Blade Material: | Nylon |
| Design Wind Load: | 30.7 lbs/sq. ft. | Hub Material: | Nylon |
| Structural Details | | Nominal Air Volume: | 8,100 CFM |
| Overall Diameter: | 62.25" | Fan Motor | |
| Overall Height: | 68 3/8" | Number of motors: | One Unit per Tower |
| Dry Weight: | 223 lbs. | Type: | Induction |
| Operating Weight: | 1,205 lbs. | Manufacturer: | CTS |
| Basic Tower Construction Materials | | Insulation: | F Class |
| Tower Support Frame Assembly | FRP | Rated HP: | 1 HP |
| Casing: | FRP | Voltage and phase: | 208-230/460V/3 |
| Casing Supporters | Nylon | Piping Connections | |
| Cold Water Basin | FRP | Primary Water Inlet Diameter | 2.5" |
| Filling: | PVC | Primary Water Outlet Diameter: | 2.5" |
| Filling Supports: | PVC | Auto fill inlet diameter: | 1/2" |
| Fan Guard | HDGS | Quick fill inlet diameter: | - |
| Mechanical Equipment Supports: | HDGS | Overflow outlet diameter: | 1" |
| Inlet Louvers: | PVC | Drain diameter: | 1" |
| Bolts, Nuts & Washers: | STS | Water Flow (GPM): | 88 GPM |
| Materials Key | | | |
| FRP | Fiberglass Reinforced Polyester | STS | Stainless Steel |
| HDGS | Hot Dipped Galvanized Steel | AC | Aluminum Alloy Cast |

Cooling Tower Systems, Inc.

196 Lower Cherry Street Macon, GA 31201

TF: 800.752.1905

F: 478.755.8304

www.coolingtowersystems.com

info@coolingtowersystems.com



Cooling Tower Systems, Inc.

PARTS LIST: MODEL T-230

| FOR ASSEMBLY DIAGRAM | | | FOR TECHNICAL DIAGRAMS | | | |
|----------------------|-------------------------|-------|------------------------|----------------------|----------|-------|
| Ref. No. | Description | QTY | Item No. | Description | Material | QTY |
| 02-02 | Outlet Nozzle | 1 | 1 | Fan Motor | - | 1 pcs |
| 02-03 | Inlet Nozzle | 1 | 2 | V-Belt Reducer | - | - |
| 02-04 | Over Flow Nozzle | 1 | 3 | Motor Frame Assembly | HDGS | 1 set |
| 02-05 | Drain Nozzle | 1 | 4 | Fan Blade Assembly | Nylon | 1 set |
| 02-06 | Automatic Filler Nozzle | 1 | 5 | Fan Guard | PP | 1 set |
| 02-08 | Float Valve Assembly | 1 | 6 | Casing | FRP | 3 pcs |
| 02-09 | Over Flow | 1 | 7 | Hand Hole | EVA | 1 pcs |
| 02-10 | Suction Strainer | 1 | 8 | Sprinkler Head | Nylon | 1 set |
| 02-12A | Connector | 1 | 9 | Sprinkler Pipes | PVC | 4 pcs |
| 02-16 | Elbow | 1 | 10 | Eliminator | - | - |
| 02-19 | Inlet Pipe | 1 | 11 | Tension Device | - | - |
| 03-00 | Water Basin | 1 | 12 | Stand Pipe | PVC | 1 set |
| 04-00 | Casing Supporter | 3 | 13 | Filling | PVC | 1 set |
| 05-01A | Casing | 3 | 14 | Stopper or Column | PP | 1 set |
| 05-06 | Hand Hole Cover | 1 | 15 | Filling Supporter | PVC | 1 set |
| 06-01 | Stand Pipe | 1 | 16 | Casing Supporter | Nylon | 3 pcs |
| 06-04 | Stand Pipe Base | 1 | 17 | Inlet Louver | PVC | 1 set |
| 07-01 | Stopper | 1 | 18 | Frame Assembly | - | - |
| 08-01 | Filling Supporter - A | 4 | 19 | Water Basin | FRP | 1 pcs |
| 11-00 | Filling | 2 | 20 | Water Sump | - | - |
| 12-01 | Sprinkler Head | 1 | 21 | Ladder | - | - |
| 13-01 | Sprinkler Pipe | 4 | 22 | Strainer | PE | 1 pcs |
| 13-02 | End Cap | 4 | 23 | Flange | - | - |
| 13-03 | Eliminator | 4 | 24 | Basin Supporter | - | - |
| 13-04 | Lock Nut | 4 | | | | |
| 14-00 | Motor Frame Assembly | 1 | | | | |
| 16-01 | Fan Motor | 1 | | | | |
| 16-03 | Fan Key | 1 | | | | |
| 16-04 | Fasten Nut | 1 | | | | |
| 17-00 | Fan Assembly | 1 | | | | |
| 18-01 | Fan Guard | 1 | | | | |
| 20-02 | Inlet Louver | 4 | | | | |
| 20-10 | Louver Bracket | 8 | | | | |
| 20-11 | Knob Pin | 8 | | | | |
| OTHERS | Bolts & Nuts | 1 SET | | | | |

| Materials Key | |
|---------------|---------------------------------|
| FRP | Fiberglass Reinforced Polyester |
| HDGS | Hot Dipped Galvanized Steel |
| STS | Stainless Steel |
| AC | Aluminum Alloy Cast |

Cooling Tower Systems, Inc.

196 Lower Cherry Street Macon, GA 31201

TF: 800.752.1905

F: 478.755.8304

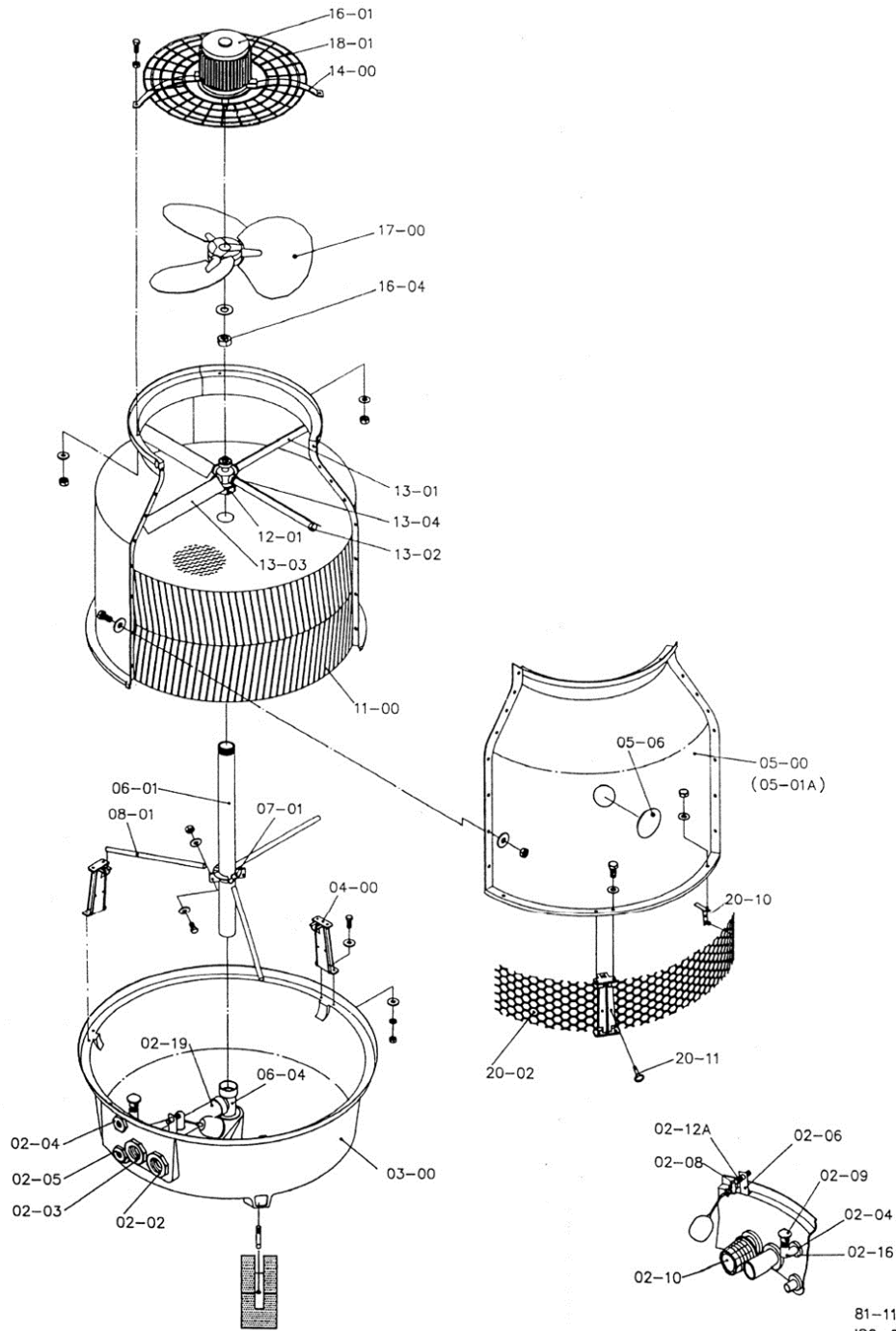
www.coolingtowersystems.com

info@coolingtowersystems.com



ASSEMBLY DIAGRAM: MODEL T-230

Cooling Tower Systems, Inc.



81-11-26-8
ISO-25-C.DWG

Cooling Tower Systems, Inc.

196 Lower Cherry Street Macon, GA 31201

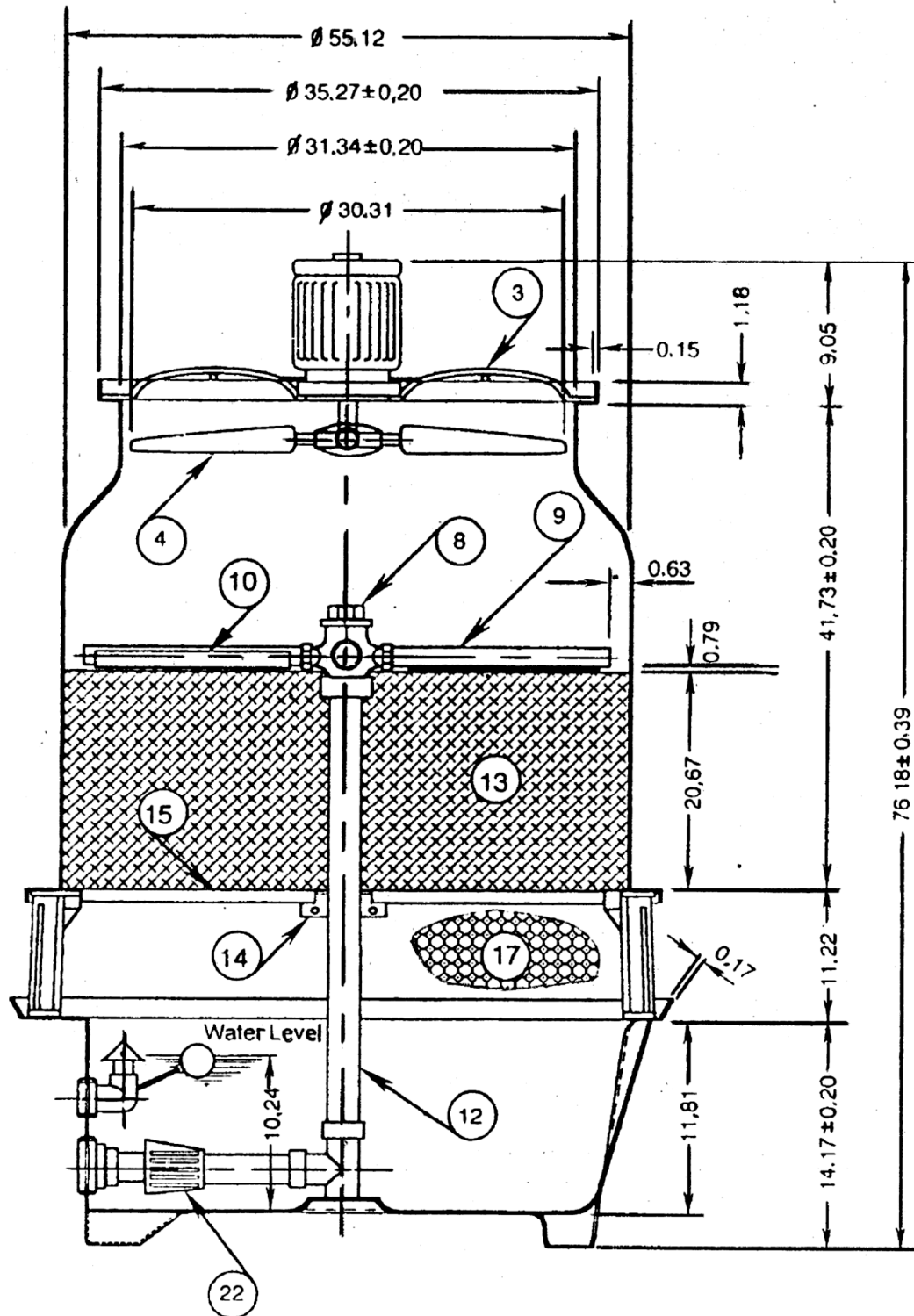
TF: 800.752.1905

F: 478.755.8304

www.coolingtowersystems.com

info@coolingtowersystems.com

TECHNICAL IMAGE A: MODEL T-230



Cooling Tower Systems, Inc.

196 Lower Cherry Street Macon, GA 31201

TF: 800.752.1905

F: 478.755.8304

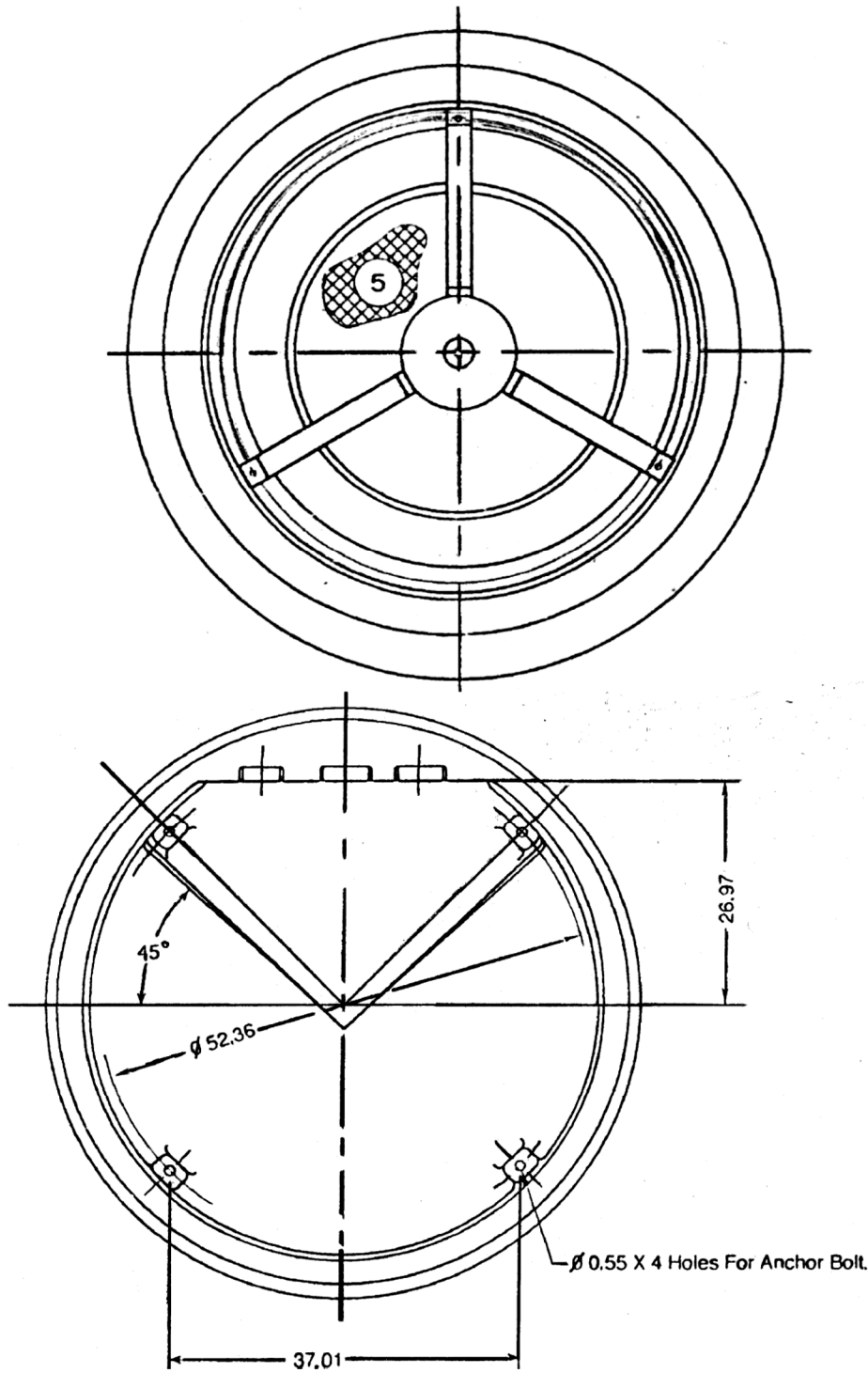
www.coolingtowersystems.com

info@coolingtowersystems.com



TECHNICAL IMAGE B & C MODEL T-230

Cooling Tower Systems, Inc.



Cooling Tower Systems, Inc.

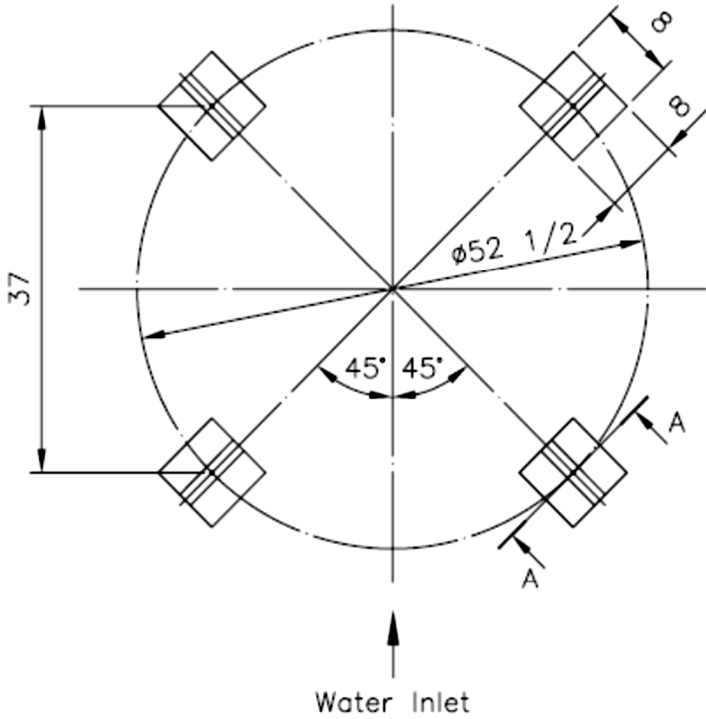
196 Lower Cherry Street Macon, GA 31201

TF: 800.752.1905

F: 478.755.8304

www.coolingtowersystems.com

info@coolingtowersystems.com



1 1/4L ALL THREAD PROJECTION
W1/2x5L, L TYPE ANCHOR BOLT 4PCS

