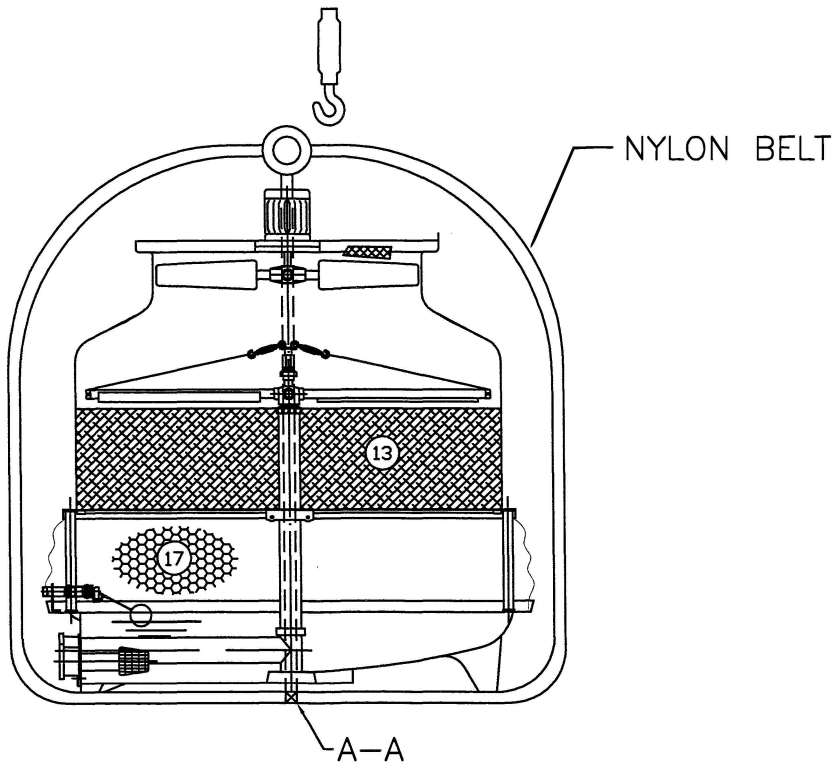


A-A SECTION S=1:10



Model T-23 through T-2175
Cooling Tower Rigging, Slings and Lifting Diagram
Cooling Tower Systems, Inc.